

Recommended P.C.B Layout (Top Side)
Tolerance = ± 0.05

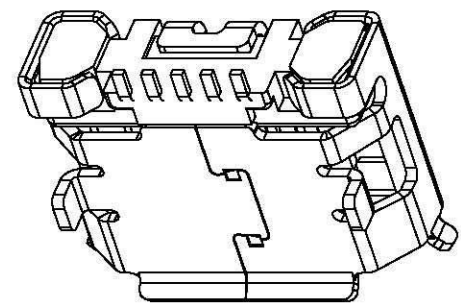
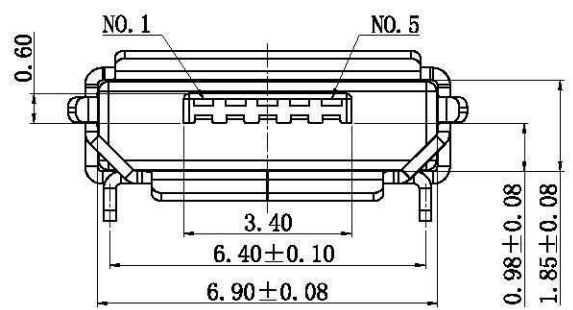
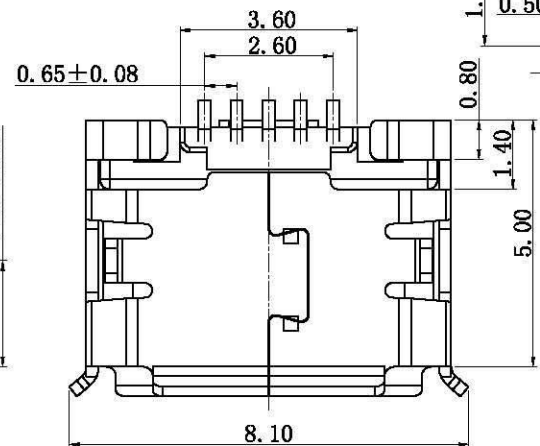
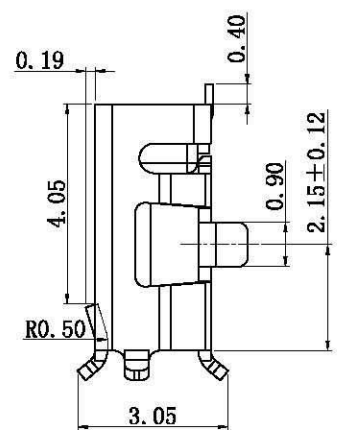
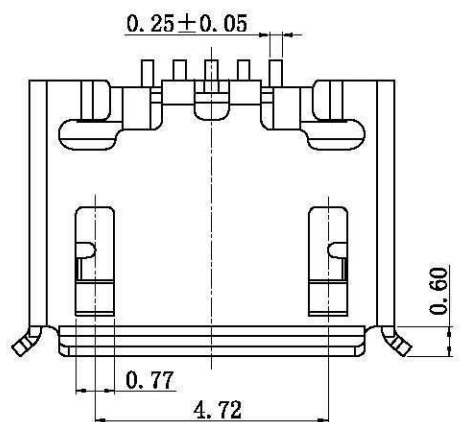


table:

N.O	Shell Finish	Contact Finish	P/N:(plated)
1	Sn/Cu	1.5u"Au+120Tin	001-01-02062
2	Tin	1.5u"Au+120Tin	001-01-02063
3	Tin	1.5u"Au over all	001-01-03062
4	Tin	3u"Au over all	001-01-04062

NO	DESCRIPTION	MATERIAL	COLOR	REMARK
3	Shell	Copper Alloy		Ni50-100u", 11u80-125u" or Sn/Cu:80-120u"
2	Contact	Copper Alloy		Ni:50-100u", 3u"Au or 1.5u"Au +120u"Ti
1	Housing	High Temperature Thermoplastic	BLACK	UL94-V0

REV	DATE	MODIFICATION DESCRIPTION	CHANGE	APPROVE	OPERATION	DRAW	杨顺运	08/07/05	SCALE	1:1	PART NO.	See table
AO		NEW			~ 10	DESIGN	杨顺运	08/07/05	UNIT	mm	TITLE:	Micro usb 5P母座
					10 ~ 30	CHECK			SIZE	A4	DRAWING NO.	
					30 ~	APPROVE			SHEET	1/1		
					Angle				PROJ.			
					DIM							
					TOL							